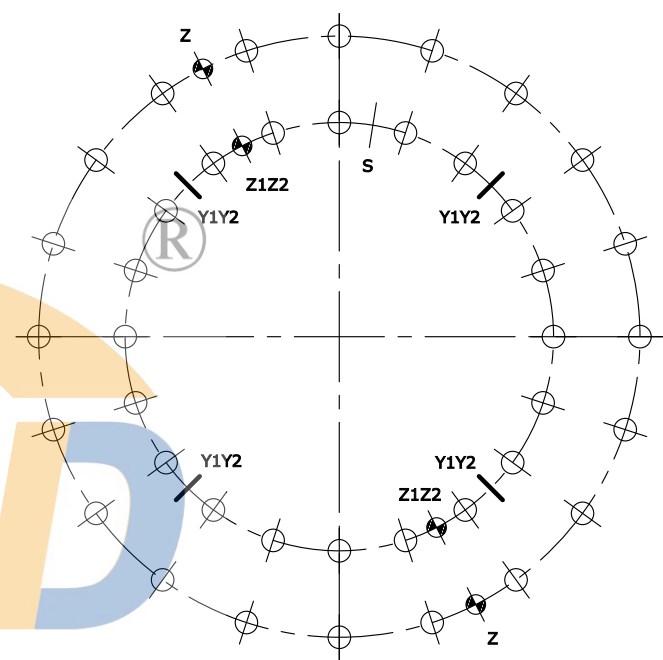
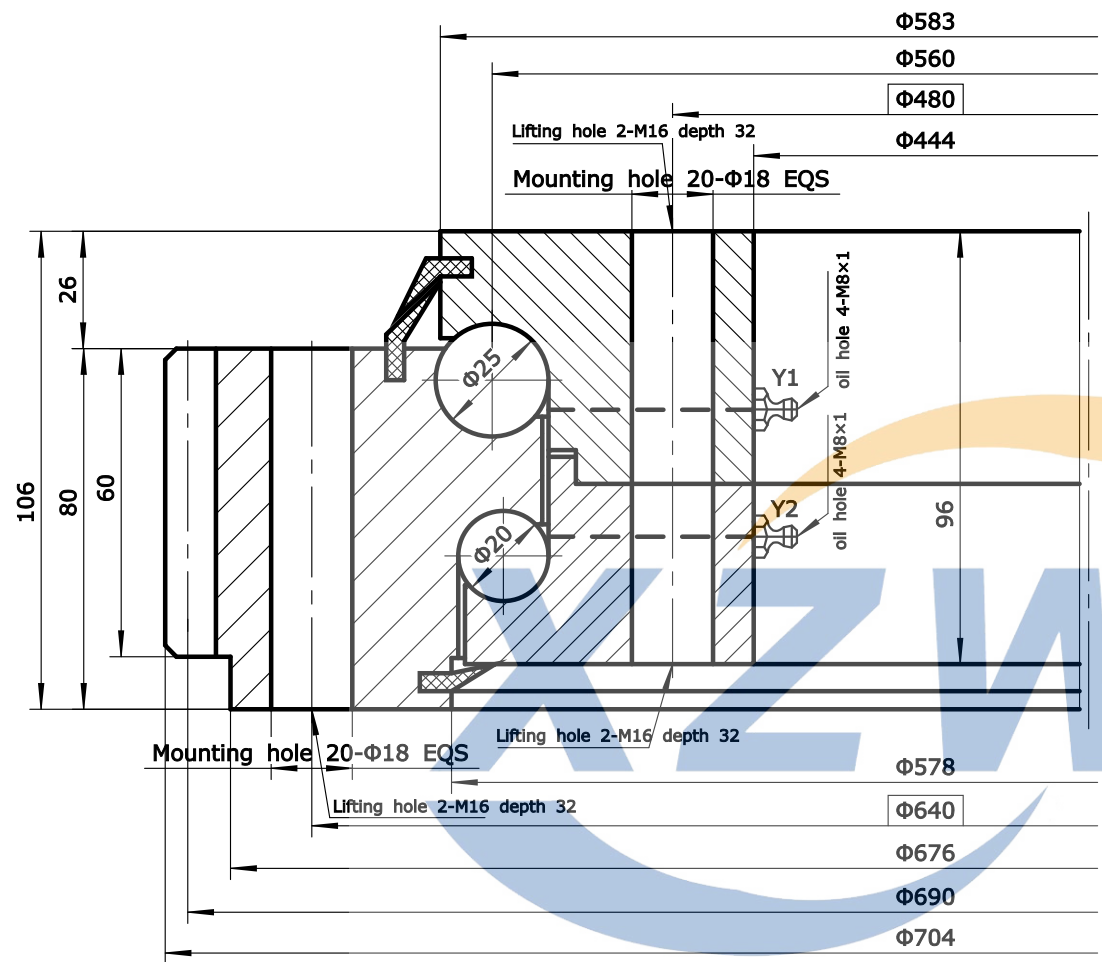


6.3

U.O.N



- Notes:
1. Raceway of inner & outer ring induction hardened. hardness: 55~62HRC  
Depth ≥ 3.0mm
  2. Inner & outer ring quenched & tempered, hardness: 207~262HB

Gear Data				Design		Check		Model	021.25.560		Weight	115kg		
Module	m	5	Gear heat treatment requirements		Date	Approve			Name	Slewing Bearing	Qty	Scale		
Teeth no	z	138	HRC		Qty	Size	Axial clearance		0.10~0.20	Material	50Mn	Total 1 page	The 1st page	
Teeth pressure angle	α	20°	Precision(GB10095-88)	10	Inner ring mounting hole	20	Φ18	Radial clearance	0.10~0.70	machine tolerances without notes				
Modification coefficients	x	+0.5			Outer ring mounting hole	20	Φ18			≤200	≤500	≤710	≤1120	
Reduction coefficients	km	0.5			Oil hole	2×4	M8×1			±0.30	±0.40	±0.50	±0.65	
Pitch diameter	d	690								≤1600	≤2000	≤2500	≤3150	
											±0.80	±0.95	±1.10	±1.35
											≤4000	≤5000		
											±1.65	±2.0		
											Technical processing standards without notes according to ...JB/T2300-2011			
				T:Pulg location S:Soft zone Y:Oil hole Z:Lifting hole				<p style="text-align: center;"><b>XUZHOU WANDA SLEWING BEARING CO.,LTD</b></p> <p style="text-align: center;">Fax: +86 516 83309366 Fax: +86 516 83915766 http://www.slew-bearing.com</p>						